

# xFUME® CATALOG 1.4



**Fume extraction technology for professional industrial use**





# Content

<b>MIG/MAG fume extraction torches</b>	Page	5
■ MIG/MAG fume extraction torches – gas cooled and liquid cooled <b>xFUME® PRO 24 / xFUME® PRO 36 / xFUME® PRO 501</b>	Page	6
■ xFUME® PRO – wear parts	Page	7
■ MIG/MAG fume extraction torches – gas cooled and liquid cooled <b>xFUME® PRO 36 HD / xFUME® PRO 501 HD</b>	Page	8
■ xFUME® PRO HD – wear parts	Page	9
■ MIG/MAG fume extraction torch – gas cooled <b>xFUME® COMPACT 25</b>	Page	10
■ xFUME® COMPACT – wear parts	Page	11
■ BIKOX®, control cables, hoses and liners	Page	12
■ Wear and spare parts	Page	13
<b>TIG fume extraction torches</b>	Page	15
■ TIG fume extraction torches – gas cooled and liquid cooled <b>xFUME® TIG 150 / xFUME® TIG 260 W / xFUME® TIG 300 W</b>	Page	16
■ xFUME® TIG – wear parts	Page	17
■ Power cables, control cables and hoses	Page	18
■ Handle and control module	Page	19
<b>Automatic fume extraction torch</b>	Page	21
■ Automatic fume extraction torch – gas cooled and liquid cooled <b>xFUME® AUT 36 / xFUME® AUT 501</b>	Page	22
■ xFUME® AUT – wear parts	Page	23
<b>Robot fume extraction at the source</b>	Page	25
■ Robot fume extraction at the source – gas cooled and liquid cooled <b>xFUME® ABIROB® A 360 / xFUME® ABIROB® A 500 / xFUME® ABIROB® W 500</b>	Page	26
■ xFUME® ABIROB® W – wear parts	Page	27
■ xFUME® ABIROB® A – wear parts	Page	28
■ xFUME® ABIROB® A 360 / xFUME® ABIROB® A 500 / xFUME® ABIROB® W 500 – cable assembly and upgrade set	Page	30
■ xFUME® ABIROB® W – holder & TCP geometries	Page	31
■ xFUME® ABIROB® A – holder & TCP geometries	Page	33
■ Robot fume extraction at the source <b>xFUME® ROBO extraction kit</b>	Page	35
<b>Fume extraction systems</b>	Page	39
■ Mobile fume extraction system <b>xFUME® ADVANCED / xFUME® ADVANCED W3</b>	Page	40
■ xFUME® ADVANCED / xFUME® ADVANCED W3 – wear parts	Page	41
■ Mobile fume extraction at the manual welding workstation <b>xFUME® FLEX</b>	Page	42
■ xFUME® FLEX – wear parts	Page	43



# **xFUME® PRO & COMPACT**

**MIG/MAG fume extraction torch –  
gas cooled and liquid cooled**



## **xFUME® PRO (HD)**

This powerful fume extraction torch line combines efficiency with occupational health and safety. As easy to handle as if holding a standard MIG/MAG welding torch in your hand. Now also available in a heavy-duty version for extremely high strains.

## **xFUME® COMPACT**

A fume extraction torch that should be available in every process finishing and workshop. Be careful: It can quickly turn into your favorite tool.

# MIG/MAG fume extraction torches xFUME® PRO

## Gas cooled and liquid cooled



All documents in one place: ABIDOC

Wherever thick sheets are welded with high currents, this gas cooled or liquid cooled welding fume extraction torch shows its potential. This makes it the perfect tool for healthy welding in the structural, heavy fabrication, shipyards & offshore and energy segments.

With the xFUME® PRO, welding with high currents and integrated welding fume extraction is also fun! Welding almost as if it were without any extraction.

- 10% more power
- 20% less weight
- Significantly improved ergonomics
- Better accessibility and clarity
- Improved stability and robustness
- Flow-optimized interior design
- Reduced gas loss due to optimized front end
- Uses the same parts as the xFUME® series
- Optional short or long trigger
- Conforms to standard DIN EN ISO 21904



### xFUME® PRO 24 (+ 55 mm)

#### Technical data (EN 60 974-7):

Cooling: gas cooled  
 Rating: 270 A CO<sub>2</sub>  
 250 A mixed gases M21 (DIN EN ISO 14175)  
 Duty cycle: 60%  
 Wire Ø: 0.8-1.2 mm

### xFUME® PRO 36 (+ 55 mm)

#### Technical data (EN 60 974-7):

Cooling: gas cooled  
 Rating: 330 A CO<sub>2</sub>  
 300 A mixed gases M21 (DIN EN ISO 14175)  
 Duty cycle: 60%  
 Wire Ø: 0.8-1.2 mm

### xFUME® PRO 501 (+ 55 mm)

#### Technical data (EN 60 974-7)

Cooling: liquid cooled  
 Rating: 500 A CO<sub>2</sub>  
 450 A mixed gases M21 (DIN EN ISO 14175)  
 Duty cycle: 100%  
 Wire Ø: 1.0-1.6 mm

#### Note on liquid cooled torches:

To protect the cable assembly components from overheating, we recommend a cooling system run-on time of at least four minutes.

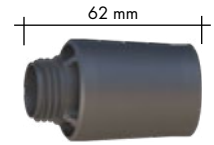
Torch complete Type	Part-No.			Swan neck complete	
	3 m	4 m	5 m	Type	Part-No.
xFUME® PRO 24	612.0139.1	612.0127.1	612.0128.1	50°	614.0264.1
xFUME® PRO 36	614.0286.1	614.0262.1	614.0263.1	50°	614.0264.1
xFUME® PRO 501	634.0225.1	634.0207.1	634.0208.1	50°	634.0209.1
xFUME® PRO 24 (+55 mm)	612.0141.1	612.0142.1	612.0143.1	50°	614.0295.1
xFUME® PRO 36 (+55 mm)	614.0301.1	614.0299.1	614.0300.1	50°	614.0295.1
xFUME® PRO 501 (+55 mm)	634.0238.1	634.0239.1	634.0240.1	50°	634.0233.1

# xFUME® PRO 24, xFUME® PRO 36, xFUME® PRO 501

## Wear parts

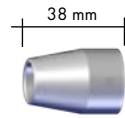
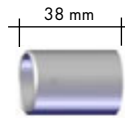
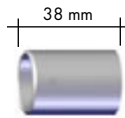
### xFUME® PRO 24

### xFUME® PRO 36/501



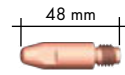
#### Extraction nozzle (1 pc.)

Standard	600.0148.1*	-	600.0147.1**
Tapered	-	600.0140.1	-



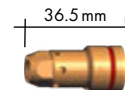
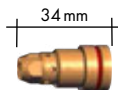
#### Gas nozzle (5 pcs.)

Cylindrical	145.0923.5	-	145.0911.5	-
Conical	-	145.0880.5*	-	145.0903.5**



#### Contact tip (10 pcs.)

		M6	M8	M8
CuCrZr	Ø 0.8 mm	140.0054	140.0117	140.1792.10
	Ø 0.9 mm	140.0172	140.0217	-
	Ø 1.0 mm	140.0245*	140.0316.10	140.1772.10
	Ø 1.2 mm	140.0382	140.0445.10**	140.1773.10
	Ø 1.4 mm	-	140.0536	-
	Ø 1.6 mm	-	140.0590	140.1791.10



#### Tip adapter (5 pcs.)

M6 (5 pcs.)	142.0308.5*	-
M8 (5 pcs.)	-	142.0306.5**
O-ring 14x1.5 mm (20 pcs.)	165.0104	165.0104



#### Spatter protector (5 pcs.)

	146.0091.5*	146.0093.5**
--	-------------	--------------



#### Centering star (1 pc.)

Complete	614.0253.1*	614.0253.1**
----------	-------------	--------------



Liner		for 3 m	for 4 m	for 5 m
Liner	xFUME® PRO 24	124.0026*	124.0031*	124.0035*
	xFUME® PRO 36	124.0026**	124.0031**	124.0035**
	xFUME® PRO 501	124.0111**	124.0112**	124.0113**
PTFE liner	xFUME® PRO 24	126.0021	126.0026	126.0028
	xFUME® PRO 36	126.0021	126.0026	126.0028
	xFUME® PRO 501	126.0021	126.0026	126.0028

Standard equipment

\*Included in the standard equipment for xFUME® PRO 24 complete torches.

\*\*Included in the standard equipment for xFUME® PRO 36/501 complete torches.

# MIG/MAG fume extraction torches xFUME® PRO HD

## Gas cooled and liquid cooled



All documents in one place: ABIDOC

When high welding currents combined with long welding times are daily occurrences, fume extraction torches must be able to withstand particularly high loads. The xFUME® PRO HD series was designed for such requirements. These fume extraction torches are particularly suitable for thick sheet metal applications, e.g. in heavy fabrication, structural and general fabrication.

The output of the xFUME® PRO HD extraction torches has deliberately not been increased. Instead, individual components have been optimized, making these extraction torches more stable, robust, temperature-resistant and durable. Welding seams at high currents "non-stop" is no longer a problem with this series of extraction torches.

- Specially developed HD gas nozzle for better temperature resistance and longer service life
- Steel extraction nozzle for more strength and stability
- Improved trigger seal for high dirt resistance
- Optimized ball joint mount for longer service life
- More robust, temperature-resistant power cable
- Optimized bend protection for higher tensile load



### xFUME® PRO 36 HD

#### Technical data (EN 60 974-7):

Cooling:	gas cooled
Rating:	330 A CO <sub>2</sub> 300 A mixed gases M21 (DIN EN ISO 14175)
Duty cycle:	60%
Wire Ø:	0.8-1.2 mm

### xFUME® PRO 501 HD

#### Technical data (EN 60 974-7):

Cooling:	liquid cooled
Rating:	500 A CO <sub>2</sub> 450 A mixed gases M21 (DIN EN ISO 14175)
Duty cycle:	100%
Wire Ø:	1.0-1.6 mm

#### Note on liquid cooled torches:

To protect the cable assembly components from overheating, we recommend a cooling system run-on time of at least four minutes.

Torch complete Type	Part-No.			Swan neck complete	
	3 m	4 m	5 m	Type	Part-No.
xFUME® PRO 36 HD	614.0290.1	614.0291.1	614.0292.1	50°	614.0264.1
xFUME® PRO 501 HD	634.0229.1	634.0230.1	634.0231.1	50°	634.0209.1
xFUME® PRO 36 HD (+ 55 mm)	614.0303.1	614.0304.1	614.0305.1	50°	614.0295.1
xFUME® PRO 501 HD (+ 55 mm)	634.0241.1	634.0242.1	634.0243.1	50°	634.0233.1



# xFUME® PRO 36 HD, xFUME® PRO 501 HD

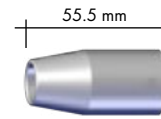
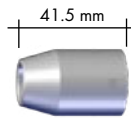
## Wear parts

### xFUME® PRO 36 HD/501 HD



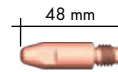
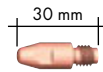
#### Extraction nozzle (1 pc.)

Standard (steel)	-	600.0158.1*
Tapered (steel)	600.0157.1	-



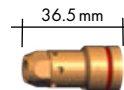
#### Gas nozzle (5 pcs.)

Conical (heavy duty)	317.0459.5*	317.0458.5
----------------------	-------------	------------



#### Contact tip (10 pcs.)

		M8	M8
CuCrZr	Ø 0.8 mm	140.0117	140.1792.10
	Ø 0.9 mm	140.0217	-
	Ø 1.0 mm	140.0316.10	140.1772.10
	Ø 1.2 mm	140.0445.10*	140.1773.10
	Ø 1.4 mm	140.0536	-
	Ø 1.6 mm	140.0590	140.1791.10



#### Tip adapter (5 pcs.)

M6 (5 pcs.)	-
M8 (5 pcs.)	142.0306.5*
O-ring 14x1.5 mm (20 pcs.)	165.0104



#### Spatter protector (5 pcs.)

	146.0093.5*
--	-------------



#### Centering star (1 pc.)

Complete	614.0253.1*
----------	-------------



Liner		for 3 m	for 4 m	for 5 m
Liner	xFUME® PRO 36 HD	124.0026*	124.0031*	124.0035*
	xFUME® PRO 501 HD	124.0111*	124.0112*	124.0113*
PTFE liner	xFUME® PRO 36 HD	126.0021	126.0026	126.0028
	xFUME® PRO 501 HD	126.0021	126.0026	126.0028

Standard equipment

\*Included in the standard equipment for xFUME® PRO 36 HD/501 HD complete torches.

# MIG/MAG fume extraction torch xFUME® COMPACT

## Gas cooled



The xFUME® COMPACT fume extraction torch will quickly become a favorite tool when it comes to welding thin sheets and currents of up to 250 amperes are used.

Weight, haptics and handling make it easy to forget that you have a welding fume extraction torch in your hand. The optionally short or long button additionally supports this feeling – while a leather covering tube not only protects the cable assembly, but also allows it to glide easily over edges.

- Approx. 1.1 kg handling weight
- Dimensions and weight as close as possible to standard MIG/MAG torch
- Patented extraction nozzle
- Improved accessibility and clarity
- Easy maintenance due to component minimization
- Improved ergonomics
- Reduced gas loss due to optimized front end
- Uses the same parts as the xFUME® series
- Conforms to DIN EN ISO 21904



### xFUME® COMPACT 25

#### Technical data (EN 60 974-7):

Cooling:	gas cooled
Rating:	250 A CO <sub>2</sub> 230 A mixed gases M21 (DIN EN ISO 14175)
Duty cycle:	35%
Wire Ø:	0.8-1.2 mm

Torch complete Type	Part-No.			Swan neck	
	3 m	4 m	5 m	Type	Part-No.
xFUME® COMPACT 25	604.0146.1	604.0144.1	604.0145.1	45°	604.0140.1

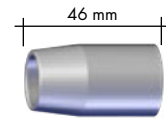
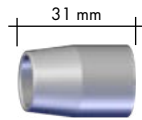
# xFUME® COMPACT 25

## Wear parts



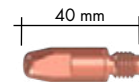
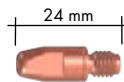
### Extraction nozzle (1 pc.)

Standard	600.0145.1*
----------	-------------



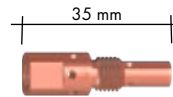
### Gas nozzle (5 pcs.)

Conical	145.0900.5*	145.0915.5
---------	-------------	------------



### Contact tip (10 pcs.)

	M6	M6
CuCrZr	140.D456.10	140.1252.10
Ø 0.8 mm	140.D457.10*	140.1254.10
Ø 1.0 mm	140.D458.10	140.1255.10
Ø 1.2 mm		



### Tip adapter (5 pcs.)

M6	142.0001*
----	-----------



### Centering star (1 pc.)

Complete	604.0142.1
----------	------------



	Liner	PTFE liner
3 m	124.0026*	126.0021
4 m	124.0031*	126.0026
5 m	124.0035*	126.0028

Standard equipment

\*Included in the standard equipment for xFUME® COMPACT 25 complete torches.

# BIKOX<sup>®</sup>, control cables, hoses and liners

## I. Cable assemblies, gas cooled

Type	Description	Cable assembly length		
		3 m	4 m	5 m
xFUME <sup>®</sup> PRO 24	BIKOX <sup>®</sup> 28/LW 2-pole	160.1953.1	160.1866.1	160.1867.1
xFUME <sup>®</sup> PRO 36	BIKOX <sup>®</sup> 53/LW 2-pole	160.1954.1	160.1860.1	160.1861.1
xFUME <sup>®</sup> PRO 36	BIKOX <sup>®</sup> 50/HD 2-pole	160.1999.1	160.1951.1	160.1952.1
xFUME <sup>®</sup> COMPACT 25	BIKOX <sup>®</sup> 28/LW 2-pole	160.1953.1	160.1866.1	160.1867.1

## II. Cable assemblies, liquid cooled

xFUME <sup>®</sup> PRO 501	Description	Length			
		3 m	4 m	5 m	100 m (pcs.)
Power cable		115.1176.1	115.1119.1	115.1120.1	-
Power cable HD		115.1238.1	115.1239.1	115.1240.1	-
Wire conduit/gas hose		154.0017.1	154.0018.1	154.0019.1	-
Water hose red	PVC; Ø 5.5 x 1.5 mm	-	-	-	109.0056
Water hose blue	PVC; Ø 5.5 x 1.5 mm	-	-	-	109.0057
					<b>200 m (pcs.)</b>
Control cable	2-pole	-	-	-	100.0019

## III. Outer and extraction hoses

Type	Description	30 m (pcs.)
xFUME <sup>®</sup> PRO 24/COMPACT 25	Outer hose LW 32	109.0043
xFUME <sup>®</sup> PRO 36 (HD)/501 (HD)	Outer hose LW 38	109.0044
xFUME <sup>®</sup> PRO 24/36 (HD)/501 (HD)	Outer hose LW 45	109.0080.30
xFUME <sup>®</sup> COMPACT 25	Outer hose LW 45	109.0080.30

## IV. Hose clamps, quick connector and marking washer

Type	Pcs.	Part-No.	Applicable for hose type	
			109.0056	109.0057
Hose clamp D=9.5 mm infinitely; xFUME <sup>®</sup> PRO 501 (HD)	20	173.0015.20	•	•
Quick connector ND 5/Ø=6.0mm; xFUME <sup>®</sup> PRO 501 (HD)	20	501.0114	•	•
Fastener cap red; xFUME <sup>®</sup> PRO 501 (HD)	20	501.2423	•	
Fastener cap blue; xFUME <sup>®</sup> PRO 501 (HD)	20	501.2424		•

# Wear and spare parts

## V. Crabb ring, ball joint, crimping sleeve, adapter piece, branch, leather hose set

Pos.	Type	Description	Part-No.
1	xFUME® PRO 24/36 (HD)/501 (HD)/COMPACT 25	Branch 45° no	600.0126.1
2	xFUME® COMPACT 25	Crabb ring	604.0143.1
3	xFUME® PRO 24	Ball joint	600.0138.1
4	xFUME® PRO (HD)/501 (HD)	Ball joint	600.0130.1
5	xFUME® COMPACT 25	Ball joint	600.0146.1
6	xFUME® PRO	Crimping sleeve	720.0022
7	xFUME® PRO 24/COMPACT 25	Adapter piece cable assembly	600.0137.1
8	xFUME® PRO 36 (HD)/501 (HD)	Adapter piece cable assembly	600.0128.1
9	xFUME® PRO (HD)/COMPACT	Bend protection	600.0159.1
10	xFUME® PRO (HD)/COMPACT	Torch mount without magnetic base	780.0932.1
not figured	xFUME® PRO 24/COMPACT 25	Leather hose set	600.0142.1
not figured	xFUME® PRO 36 (HD)/501 (HD)	Leather hose set	600.0143.1
not figured	xFUME® PRO (HD)/COMPACT	Magnetic base	193.0023



## VI. Handle type xFUME®

Pos.	Type	Part-No.
1	Handle xFUME® PRO complete	180.0207.1
	Handle xFUME® PRO HD complete	180.0220.1
	Trigger seal xFUME® PRO	175.0918.10
2	Handle xFUME® COMPACT complete	180.0206.1

Air feed slide complete, all torches  
Part-No.: 400.1928.1



Trigger short, all torches  
Part-No.: 185.0165.1



# xFUME® TIG

**TIG fume extraction torches –  
gas cooled and liquid cooled**



## **xFUME® TIG**

With these TIG fume extraction torches, even the invisible, highly harmful fumes don't stand a chance.

Suitable for fume extraction units with extraction filter class W3.

# TIG fume extraction torches xFUME® TIG

## Gas cooled and liquid cooled



All documents in one place: ABIDOC

Although TIG welding does not produce a similar amount of fumes compared to MIG/MAG welding, it does produce fumes that are particularly dangerous when inhaled. That is why it was very important to ABICOR BINZEL to develop a high-performance TIG torch for industrial use. The xFUME® TIG fume extraction torch also works according to the principle of extraction at the source and efficiently absorbs these highly hazardous fumes at their place of origin. This is provided by a combined ceramic protection and extraction nozzle, through which this TIG fume extraction torch with its slim front end guarantees an excellent view of the process. With its innovative concept and design, the xFUME® TIG is an excellent

TIG fume extraction torch in general fabrication especially for welding stainless steels, aluminum alloys and high-alloy materials, where welding fumes that pose different health hazards are increasingly released.

- Novel innovation in the field of TIG torches
- Integrated fume extraction to protect the welder
- Dimensions and weight as close as possible to standard TIG torches
- Patented extraction nozzle
- High use of common parts due to ABITIG® wear part concept
- Improved ergonomics
- Reduced gas loss due to optimized frontend



### xFUME® TIG 150

#### Technical data (EN 60 974-7):

Cooling:	gas cooled
Rating:	150 A DC 105 A AC
Duty cycle:	35%
Tungsten electrode:	Ø 1.0–2.4 mm

### xFUME® TIG 260 W

#### Technical data (EN 60 974-7):

Cooling:	liquid cooled
Rating:	260 A DC 185 A AC
Duty cycle:	100%
Tungsten electrode:	Ø 1.0–3.2 mm

### xFUME® TIG 300 W

#### Technical data (EN 60 974-7):

Cooling:	liquid cooled
Rating:	300 A DC 210 A AC
Duty cycle:	100%
Tungsten electrode:	Ø 1.0–3.2 mm

#### Torch complete

Type	Cooling	Part-No.	Torch body Part-No.
xFUME® TIG 150	gas cooled	see note <sup>1</sup>	776.5008.1
xFUME® TIG 260 W	liquid cooled	see note <sup>1</sup>	777.5001.1
xFUME® TIG 300 W	liquid cooled	see note <sup>1</sup>	777.5010.1

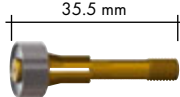
<sup>1</sup> Due to the highly differing types of connections on the machine side we cannot list order numbers for complete torches. Please use the TIG torch overview for the order of complete torches - this you can find in the download area of our website [www.binzel-abicor.com](http://www.binzel-abicor.com).



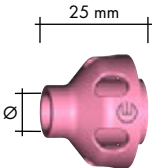
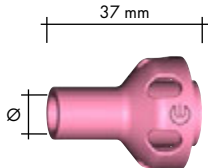
# xFUME® TIG 150, xFUME® TIG 260 W and xFUME® TIG 300 W

## Wear parts

		
<b>Back cap</b> (10 pcs.)	<b>Short</b>	<b>Long</b>
	776.0053	771.0051

			
<b>Electrode holder/ Gas diffuser</b> (5 pcs.)	<b>Electrode holder</b>	<b>Gas diffuser</b>	<b>Gas diffuser</b>
Ø 1.0 mm	776.0061	776.0171	777.0171.5
Ø 1.6 mm	776.0062	776.0172	777.0172.5
Ø 2.0 mm	776.0067	776.0177	777.0177.5
Ø 2.4 mm	776.0063	776.0173	777.0173.5
Ø 3.2 mm	776.0064	776.0174	777.0174.5

	
<b>Insulator/Adapter ring for torch body</b> (10 pcs.)	<b>Standard version</b>
Insulator	776.1043

		
<b>Gas nozzle, ceramic</b> (10 pcs.)	<b>Short</b>	<b>Long</b>
Ø 8.0 mm	776.5003.10	776.5001.10
Ø 9.5 mm	776.5004.10	776.5002.10
Ø 12.0 mm	776.5005.10	776.5006.10

# Power cables, control cables and hoses

## I. Power cables

Type	Power cable High Flex			
	4 m	8 m	12 m	16 m
xFUME® TIG 150	150.0040	150.0041	150.0190	150.0250 <sup>1</sup>
xFUME® TIG 260 W	150.0270.1	150.0271.1	150.0272.1	-
xFUME® TIG 300 W	150.0332.1	150.0333.1	150.0334.1	150.0339.1 <sup>1</sup>

<sup>1</sup> When using the 16 m long liquid cooled cable assembly, the technical performance data is reduced by approx. 30%. It is essential to ensure sufficient cooling according to the operating instructions.

## II. Control cables

Type	Description	Details	Part-No.
xFUME® TIG 150/260 W/300 W	Power cable 7 core	100 m	100.0112
xFUME® TIG 150/260 W/300 W	Power cable 7 core (protected)	100 m	100.0028

## III. Gas hoses, Hose clamps

Type	Description	Details	Part-No.
xFUME® TIG 260 W/300 W	PVC hose black 3.5 x 1.25	100 m	102.0124
xFUME® TIG 260 W/300 W	Hose clamp Ø = 7.5 mm with ring (mark. 8.0)	20 pcs.	173.0019.20

## IV. Coolant supply hose

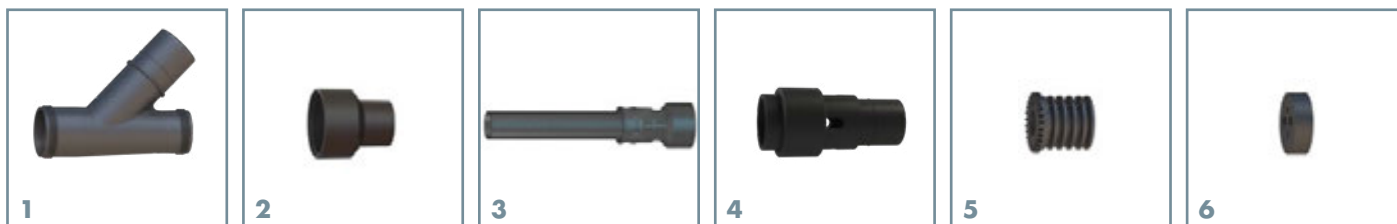
Type	Description	Details	Part-No.
xFUME® TIG 300 W	FRH hose black 3.9 x 1.5	40 m	109.0059
xFUME® TIG 300 W	Hose clamp Ø = 8.7 mm, continuously variable	20 pcs.	173.0020.20

## V. Outer hoses

Type	Description	Details	Part-No.
xFUME® TIG 150/260 W/300 W	Hose 32 black LW 28 R	30 m	109.0042

## VI. Branch, connector set, cable guide, hose clutch, adapter

Pos.	Type	Description	Part-No.
1	xFUME® TIG 150/260 W/300 W	Branch 45°	600.0126.1
2	xFUME® TIG 150/260 W/300 W	Hose clutch	400.1942.1
3	xFUME® TIG 150/260 W/300 W	Connector cpl.	400.1935.1
4	xFUME® TIG 150/260 W/300 W	Adapter cpl.	776.5019.1
5	xFUME® TIG 150	Cable guide AC* cpl.	776.5009.5
6	xFUME® TIG 260 W/300 W	Cable guide LC** cpl.	776.5018.5



\* gas cooled  
\*\* liquid cooled

# Handle and control modules

## Handle xFUME® TIG and control modules

Type	Description	Details	Part-No.
xFUME® TIG 150/260 W/300 W	Handle xFUME® TIG, without control module		180.0210.1
xFUME® TIG 150/260 W/300 W	Control module single push-button	BIS-51	400.1296.1
	Control module single push-button (lower release force than BIS-51)	BIS-S1	400.1647.1
	Control module double push-button	BIS-52	400.1292.1
	Control module UP/DOWN (device-dependent)	BIS-55	400.1388.1
	Control module UP/DOWN (device-dependent)	BIS-65	400.1318.1
	Control module UP/DOWN (compatible with Stel®/CEA®)	BIS-85	400.1375.1
	Control module UP/DOWN (compatible with Lorch®)	BIS-95	400.1354.1
	Lid (5 pcs.)	BIS-57	400.1402.5



**BIS-51/  
BIS-S1** (lower release force)  
ED = Single push-button



**BIS-52**  
DD = Double push-button/  
Button short (in torch price list  
standard, under DD)



**BIS-55**  
UD = UP/DOWN  
(device-dependent)



**BIS-65**  
UD = UP/DOWN  
(device-dependent)



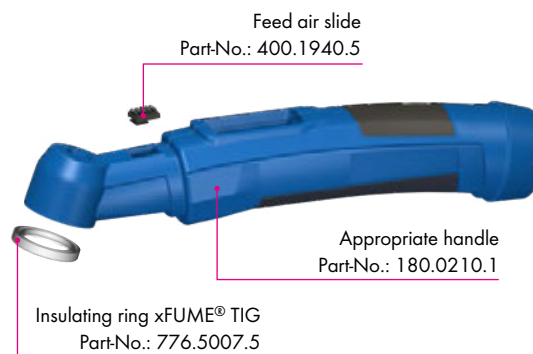
**BIS-85**  
UD = UP/DOWN  
(compatible with Stel® & CEA®)



**BIS-95**  
UD = UP/DOWN  
(compatible with Lorch®)



**BIS-57**  
Lid (5 pcs.)



### Abbreviations for switch functions:

ED	Single push-button
DD	Double push-button
UD	UP/DOWN (two switches)



# xFUME® AUT

**Automatic fume extraction torch  
gas cooled and liquid cooled**



## **xFUME® AUT**

Because health protection also applies to partial automation.

With this automatic torch for extraction at the source, you can offer your workers optimum health protection.

# Automatic fume extraction torch xFUME® AUT

## Gas cooled and liquid cooled



All documents in one place: ABIDOC

### Reliable welding fume extraction for partially automated welding processes

Fume extraction for welding cells has long since become standard. But what about welding fume extraction in partially automated production? People who load the automatic machines in these areas constantly breathe in the fumes. From an occupational health and safety perspective, this is not permissible!

The Federal Institute for Occupational Safety and Health demands that consistent guidelines must be followed to prevent harmful fumes from entering the respiratory tract in the first place.

Equip your series production with automatic fume extraction torches xFUME® AUT from ABICOR BINZEL with extraction at the source. This is how you protect your employees properly.

### Efficient extraction at the source for series production

You already know the AUT RAB series from ABICOR BINZEL? With the technical further development to the automatic extraction torches of the xFUME® series, we are setting new standards:

- Extraction torch optimally positioned in the automatic welding system
- Compact shape
- Improved laminar flow
- Very robust design
- Common pipe section diameter
- Long-lasting ABICOR BINZEL wear parts



### xFUME® AUT 36

#### Technical data (EN 60 974-7):

Cooling:	gas cooled
Rating:	330 A CO <sub>2</sub> 300 A M21
Duty cycle:	60%
Wire Ø:	0.8–1.2 mm

### xFUME® AUT 501

#### Technical data (EN 60 974-7):

Cooling:	liquid cooled
Rating:	500 A CO <sub>2</sub> 450 A M21
Duty cycle:	100%
Wire Ø:	1.0–1.6 mm

Torch complete Type	Cooling	Part-No.				Inner tube cpl. Part-No.
		2 m	3 m	4 m	5 m	
xFUME® AUT 36	gas cooled	981.0003.1	981.0004.1	981.0001.1	981.0002.1	614.0289.1
xFUME® AUT 501	liquid cooled	982.0003.1	982.0004.1	982.0001.1	982.0002.1	634.0228.1

### Handle tube, fixture, screw socket

Type	Description	Packing unit	Part-No.
xFUME® AUT 36/501	Handle tube cpl.	1	180.0081
xFUME® AUT 36/501	Handle tube fixture	1	400.2027.1
xFUME® AUT 36/501	Screw socket black, LW 38	1	500.0267

# xFUME® AUT 36, xFUME® AUT 501

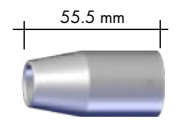
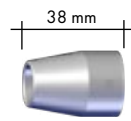
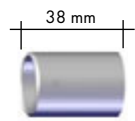
## Wear parts\*

## xFUME® AUT 36/501



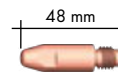
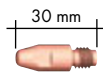
### Extraction nozzle (1 pc.)

Standard	-	600.0147.1
Standard (steel)	-	600.0158.1
Tapered	600.0140.1	-
Tapered (steel)	600.0157.1	-



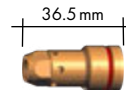
### Gas nozzle (5 pcs.)

Cylindrical	145.0911.5	-	-	-
Conical	-	145.0903.5	-	-
Conical (Heavy Duty)	-	-	317.0459.5	317.0458.5



### Contact tip (10 pcs.)

		M8	M8
CuCrZr	Ø 0.8 mm	140.0117	140.1792.10
	Ø 1.0 mm	140.0316.10	140.1772.10
	Ø 1.2 mm	140.0445.10	140.1773.10
	Ø 1.4 mm	140.0536	-
	Ø 1.6 mm	140.0590	140.1791.10



### Tip adapter (5 pcs.)

M8 (5 pcs.)	142.0306.5
O-ring 14x1.5 mm (20 pcs.)	165.0104





### Spatter protector (5 pcs.)

	146.0093.5
--	------------



### Centering star (1 pc.)

Complete	614.0253.1
----------	------------

Liner		for 2 m	for 3 m	for 4 m	for 5 m
	xFUME® AUT 36	124.0026	124.0026	124.0031	124.0035
	xFUME® AUT 501	124.0259.1	124.0111	124.0112	124.0113
	PTFE liner xFUME® AUT 36	126.0021	126.0021	126.0026	126.0028
	xFUME® AUT 501	126.0021	126.0021	126.0026	126.0028

\*Spare and wear parts of all xFUME® AUT cable assemblies are identical to those of the xFUME® PRO 36/501 cable assemblies (see pages 10 + 11).





# **xFUME® ROBO system**

**Robotic fume extraction torches  
gas cooled and liquid cooled**



**xFUME® ABIROB®**

You can now also ensure the best health protection when welding with industrial robots or gantry welding systems.

# Robot fume extraction at the source **xFUME® ABIROB®**

## Gas cooled and liquid cooled



All documents in one place: ABIDOC

### Upgrade robot torches to extraction technology in no time at all

You want the highest possible protection against harmful fumes in your automated production? The stationary welding fume extraction of your welding cells or in the production hall is insufficient? Perhaps a hall extraction system is not an option for you for cost reasons? And you don't want to replace your ABIROB® welding torches completely with new ones? Then the xFUME® ABIROB® extraction torches with externally guided cable assembly (OA for over arm) with xFUME® extraction systems from ABICOR BINZEL are a reliable, clever and economical solution.

Where things are becoming more and more complex, it's good to have a little ease. All the better if this also works in favour of economic efficiency.



**xFUME® ABIROB® A**  
available from July 2024

### xFUME® ABIROB® extraction torches to the point:

- Based on proven ABIROB® torch technology
- Optimum accessibility
- Easy upgrade of ABIROB® standard torches possible
- Versatile applications for automated welding
- Good TCP stability
- Integrated wire brake guarantees precisely guided welding paths
- Suitable for torch cleaning station TCS
- Compatible with all xFUME® extraction systems
- DIN EN ISO 21904 compliant

#### xFUME® ABIROB® A 360

##### Technical data (EN 60 974-7):

Cooling:	gas cooled
Rating:	360 A CO <sub>2</sub>
	290 A M21
Duty cycle:	100%
Wire Ø:	0.8-1.4 mm

#### xFUME® ABIROB® A 500

##### Technical data (EN 60 974-7):

Cooling:	gas cooled
Rating:	500 A CO <sub>2</sub>
	400 A M21
Duty cycle:	100%
Wire Ø:	0.8-1.6 mm

#### xFUME® ABIROB® W 500

##### Technical data (EN 60 974-7):

Cooling:	liquid cooled
Rating:	550 A CO <sub>2</sub>
	500 A M21
Duty cycle:	100%
Wire Ø:	0.8-1.6 mm

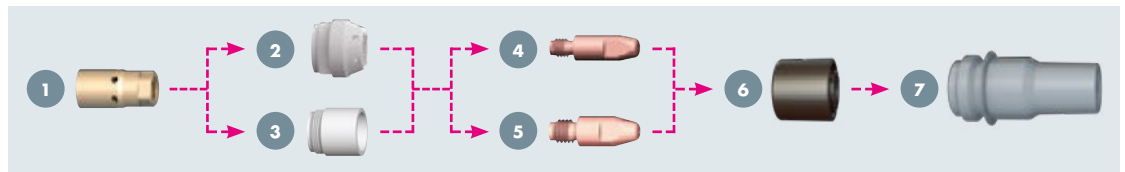
# xFUME® ABIROB® W – liquid cooled

## Wear parts

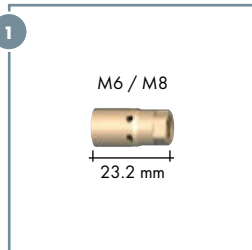
### xFUME® ABIROB® W 500



#### Wear parts for xFUME® ABIROB® W 500

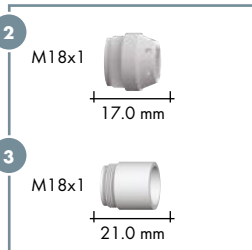


**1 Contact tip holder**  
(10 pcs.)



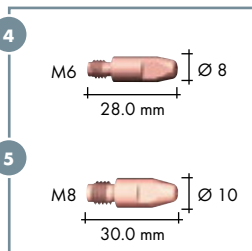
Type	Part-No.
M6 copper <sup>1</sup>	142.0133.10
M6 brass	142.0216.10
M8 copper <sup>1</sup>	142.0151.10
M8 brass	142.0117.10

**2 Gas diffuser**  
**3 Nozzle insulator**  
(10 pcs.)



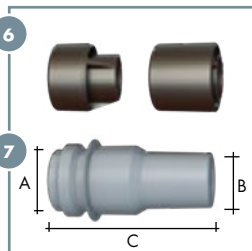
Type	Part-No.
Gas diffuser standard	943.0284
Nozzle insulator standard	146.0054.10
Nozzle insulator, resistant to high temperatures	146.0059.10

**4 Contact tip M6**  
**5 Contact tip M8**  
(10 pcs.)



Type	Wire Ø	Part-No.	
		M6	M8
CuCrZr	0.8 mm	140.0054	140.0117
	0.9 mm	140.0172	140.0217
	1.0 mm	140.0245	140.0316
	1.2 mm	140.0382	140.0445
	1.4 mm	-	140.0536
	1.6 mm	-	140.0590

**6 Extraction nozzle**  
(1 pc.)  
**7 Gas nozzle**  
(5 pcs.)



Extraction nozzle	Part-No.
Standard	600.0170.1
Tapered	600.0172.1

Gas nozzle type bottle form	Ø A	Ø B	Length C	Part-No.
Recess (-2.6 mm) <sup>2</sup>	27.0 mm	15.5 mm	56.5 mm	145.0948.5
Recess (-1.1 mm) <sup>2</sup>	27.0 mm	15.5 mm	55.0 mm	145.0946.5
Stick-out (+2.4 mm) <sup>3</sup>	27.0 mm	15.5 mm	51.5 mm	145.0947.5

All dimensions are valid for standard equipment.

<sup>1</sup> Recommended for high amperages  
<sup>2</sup> Recess: Contact tip recessed  
<sup>3</sup> Stick-out: Contact tip protruding

# xFUME® ABIROB® A – gas cooled

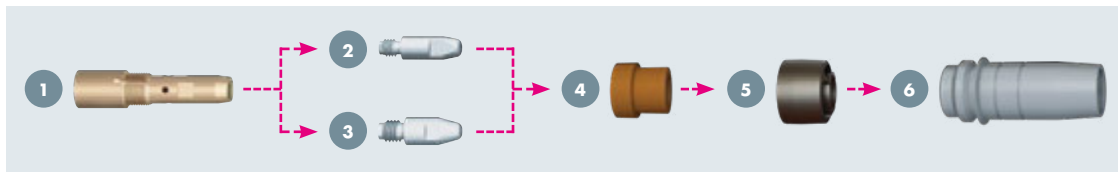
## Wear parts

### xFUME® ABIROB® A 360

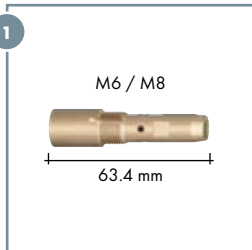


xFUME® ABIROB® A  
available from July 2024

### Wear parts for xFUME® ABIROB® A 360

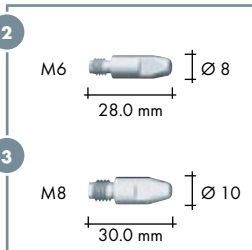


#### 1 Contact tip holder (5 pcs.)



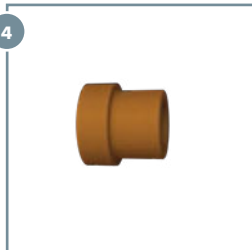
Type	Part-No.
M6 brass	142.0160.5
M8 brass	142.0163.5
M6 copper <sup>1</sup>	142.0196.5
M8 copper <sup>1</sup>	142.0170.5

#### 2 Contact tip M6 3 Contact tip M8 (10 pcs.)



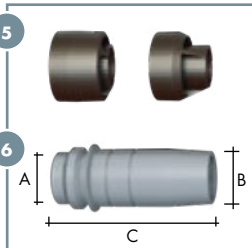
Type	Wire Ø	Part-No.	
		M6	M8
CuCrZr silver-plated	0.8 mm	147.0054	147.0117
	0.9 mm	147.0172	147.0217
	1.0 mm	147.0245	147.0316
	1.2 mm	147.0382	147.0445
	1.4 mm	147.0519	147.0536

#### 4 Nozzle insulator (5 pcs.)



Type	Part-No.
Nozzle insulator standard	146.0105.5

#### 5 Extraction nozzle (1 pc.) 6 Gas nozzle (5 pcs.)



Extraction nozzle	Part-No.
Standard	600.0173.1
Tapered	600.0174.1

Gas nozzle type conical	Ø A	Ø B	Length C	Part-No.
Recess (-2.0 mm) <sup>3</sup>	22.0 mm	16.0 mm	61.0 mm	145.0949.5
Flush <sup>2</sup>	22.0 mm	16.0 mm	59.0 mm	145.0950.5
Stick-out (+3.0 mm) <sup>4</sup>	22.0 mm	16.0 mm	56.0 mm	145.0951.5

All dimensions are valid for standard equipment.

<sup>1</sup> Recommended for high amperages

<sup>2</sup> Flush: Contact tip flushed

<sup>3</sup> Recess: Contact tip recessed

<sup>4</sup> Stick-out: Contact tip protruding

# xFUME® ABIROB® A – gas cooled

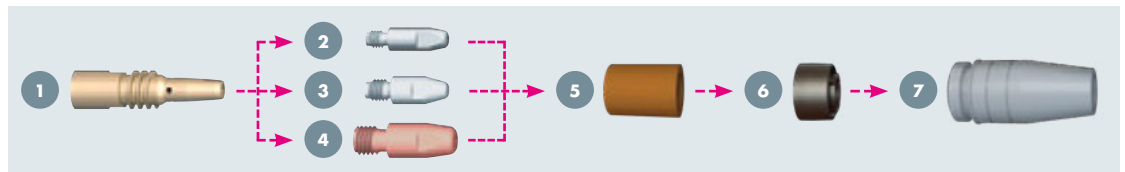
## Wear parts

### xFUME® ABIROB® A 500

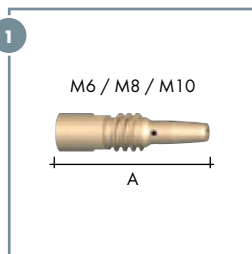


**xFUME® ABIROB® A**  
available from July 2024

### Wear parts for xFUME® ABIROB® A 500

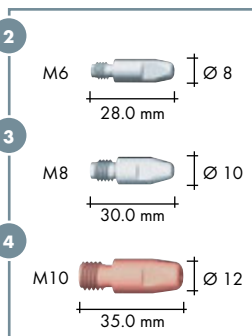


#### 1 Contact tip holder (5 pcs.)



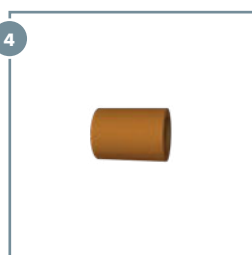
Type	Length A	Part-No.
M6 brass	70.0 mm	142.0159.5
M8 brass	70.0 mm	142.0158.5
M8 copper <sup>1</sup>	70.0 mm	142.0169.5
M10 copper <sup>1</sup>	67.0 mm	142.0228.5

#### 2 Contact tip M6 3 Contact tip M8 4 Contact tip M10 (10 pcs.)



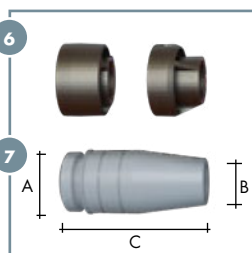
Type	Wire Ø	Part-No.		
		M6 <sup>2</sup>	M8 <sup>2</sup>	M10
CuCrZr	0.8 mm	147.0054	147.0117	-
	0.9 mm	147.0172	147.0217	-
	1.0 mm	147.0245	147.0316	140.0348
	1.2 mm	147.0382	147.0445	140.0481
	1.4 mm	147.0519	147.0536	140.0547
	1.6 mm	-	147.0590	140.0616

#### 5 Nozzle insulator (5 pcs.)



Type	Part-No.
Nozzle insulator standard	146.0106.5

#### 5 Extraction nozzle (1 pc.) 6 Gas nozzle (5 pcs.)



Extraction nozzle	Part-No.
Standard	600.0175.1
Tapered	600.0176.1

Gas nozzle type conical	Ø A	Ø B	Length C	Part-No.
Recess (-2.0 mm) <sup>3</sup>	28.0 mm	16.0 mm	63.0 mm	145.0952.5
Flush <sup>2</sup>	28.0 mm	16.0 mm	61.0 mm	145.0953.5
Stick-out (+3.0 mm) <sup>4</sup>	28.0 mm	16.0 mm	58.0 mm	145.0954.5

<sup>1</sup> Recommended for high amperages  
<sup>2</sup> Contact tip silver-plated  
<sup>3</sup> Flush: Contact tip flushed  
<sup>4</sup> Recess: Contact tip recessed  
<sup>5</sup> Stick-out: Contact tip protruding

All dimensions are valid for standard equipment.

# xFUME® ABIROB® A 360 / 500, xFUME® ABIROB® W 500, Cable assembly and upgrade set

xFUME® ABIROB® A  
available from July 2024

## Torch xFUME® ABIROB® A

Type	Cooling	Torch geometry	Part-No.
xFUME® ABIROB® A 360 <sup>1</sup>	gas cooled	0°	981.0009.1
xFUME® ABIROB® A 360 <sup>1</sup>	gas cooled	22°	981.0010.1
xFUME® ABIROB® A 360 <sup>1</sup>	gas cooled	35°	981.0011.1
xFUME® ABIROB® A 360 <sup>1</sup>	gas cooled	45°	981.0012.1
xFUME® ABIROB® A 500 <sup>2</sup>	gas cooled	0°	981.0013.1
xFUME® ABIROB® A 500 <sup>2</sup>	gas cooled	22°	981.0014.1
xFUME® ABIROB® A 500 <sup>2</sup>	gas cooled	35°	981.0015.1
xFUME® ABIROB® A 500 <sup>2</sup>	gas cooled	45°	981.0016.1

Wear parts and accessories are not included in the delivery scope! Please order separately and according to the application!

<sup>1</sup> Standard equipment M6

<sup>2</sup> Standard equipment M8

## Torch xFUME® ABIROB® W

Type	Cooling	Torch geometry	Part-No.
xFUME® ABIROB® W 500	liquid cooled	0°	982.0009.1
xFUME® ABIROB® W 500	liquid cooled	22°	982.0010.1
xFUME® ABIROB® W 500	liquid cooled	35°	982.0011.1
xFUME® ABIROB® W 500	liquid cooled	45°	982.0012.1

Wear parts and accessories are not included in the delivery scope! Please order separately and according to the application!

Standard equipment M8

## Cable assembly xFUME® ABIROB® A\*

Type	Cooling	Description	Length	Part-No.
RSP ABIROB® A ECO xFUME®	gas cooled	Panasonic	1.35 m	981.0018.1
RSP ABIROB® A ECO xFUME®	gas cooled	Euro	1.35 m	981.0019.1

## Cable assembly xFUME® ABIROB® W\*

Type	Cooling	Description	Length	Part-No.
RSP ABIROB® W 5F xFUME®	liquid cooled	Panasonic, wire brake	1.35 m	982.0013.1
RSP ABIROB® W 7F xFUME®	liquid cooled	Panasonic, wire brake	1.35 m	982.0014.1
RSP ABIROB® W 5F xFUME®	liquid cooled	Euro, wire brake	1.35 m	982.0015.1
RSP ABIROB® W 7F xFUME®	liquid cooled	Euro, wire brake	1.35 m	982.0016.1

## How to retrofit to extraction technology quickly, easily and cost-effectively

### Upgrade set xFUME® ABIROB® A/W torch neck

Type	Description	Part-No.
xFUME® ABIROB® A 360 upgrade set torch neck	-	981.0020.1
xFUME® ABIROB® A 500 upgrade set torch neck	-	981.0021.1
xFUME® ABIROB® W 500 upgrade set torch neck	-	982.0017.1

### Upgrade set xFUME® ABIROB® A/W cable assembly

Type	Description	Part-No.
xFUME® ABIROB® A upgrade set cable assembly**	Panasonic	981.0022.1
xFUME® ABIROB® A upgrade set cable assembly**	Euro	981.0023.1
xFUME® ABIROB® W upgrade set cable assembly**	Panasonic	982.0025.1
xFUME® ABIROB® W upgrade set cable assembly**	Euro	982.0026.1

\* Recommended maximum length: 3.00 m. Other cable assembly lengths and/or designs for specific power sources are available on request. The control cable is not configured on the machine side.

The steel liner red, 0.8 - 1.2 mm, is included in the delivery scope. Please order other versions separately.

\*\* The upgrade sets are designed for cable assemblies with a maximum length of 5.00 m and can be shortened individually if required. The xFUME® ABIROB® upgrade sets are designed for both W 5F and W 7F.

# xFUME® ABIROB® W – liquid cooled Holder & TCP geometries

## Top holder for xFUME® ABIROB® W

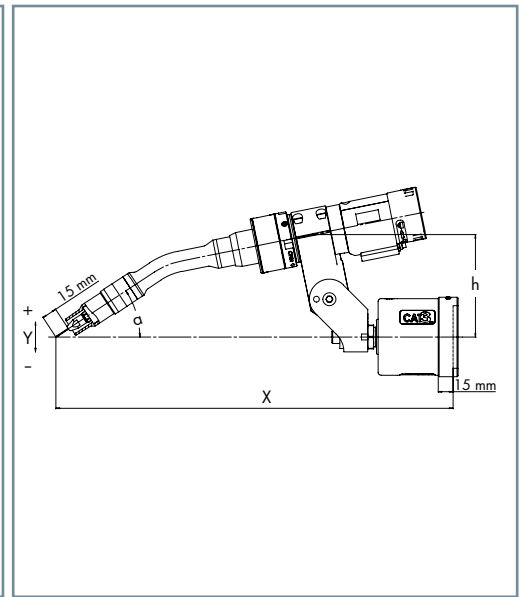
Type	Description	Part-No.
xFUME® ABIROB® W	Top holder cpl.	780.0937.1



## CAT3 PRO holder for xFUME® ABIROB® W

in connection with CAT3 PRO cpl.

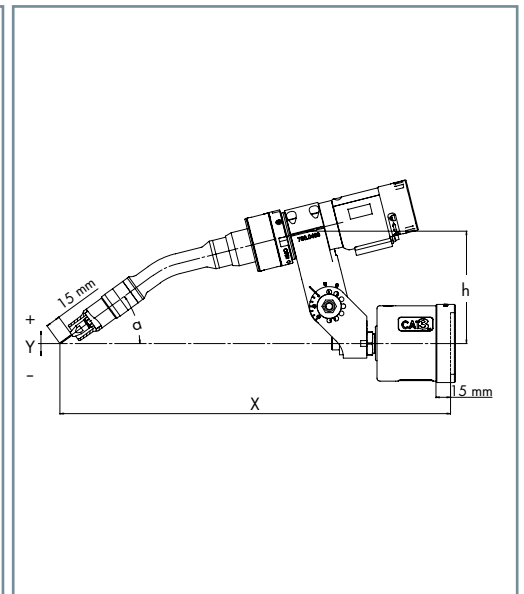
Torch type	Torch geometry	X	Y	h	a	Part-No.
		[mm]				
xFUME®	22°	399	0	103	33°	780.0430.1
ABIROB®	35°	383	0	104	40°	780.0430.1
W 500	45°	370	0	105	45°	780.0430.1



## Segment holder for xFUME® ABIROB® W<sup>1</sup>

in connection with CAT3 PRO

Torch type	Torch geometry	X	Y	h	a	Part-No.
		[mm]				
xFUME®	22°	400	0	115	36°	780.0433.1
ABIROB®	35°	383	0	117	43°	780.0433.1
W 500	45°	368	0	118	48°	780.0433.1



For all torch holders the top holder cpl. (780.0937.1) must be ordered separately.

Further holders are available on request.

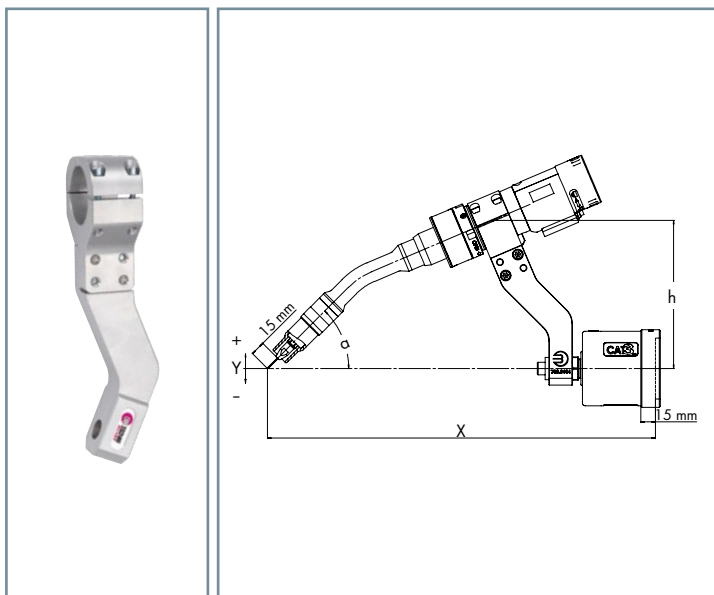
<sup>1</sup> Holder adjustable in 15° steps

# xFUME® ABIROB® W – liquid cooled Holder & TCP geometries

## Fixed holder for xFUME® ABIROB® W

in connection with CAT3 PRO

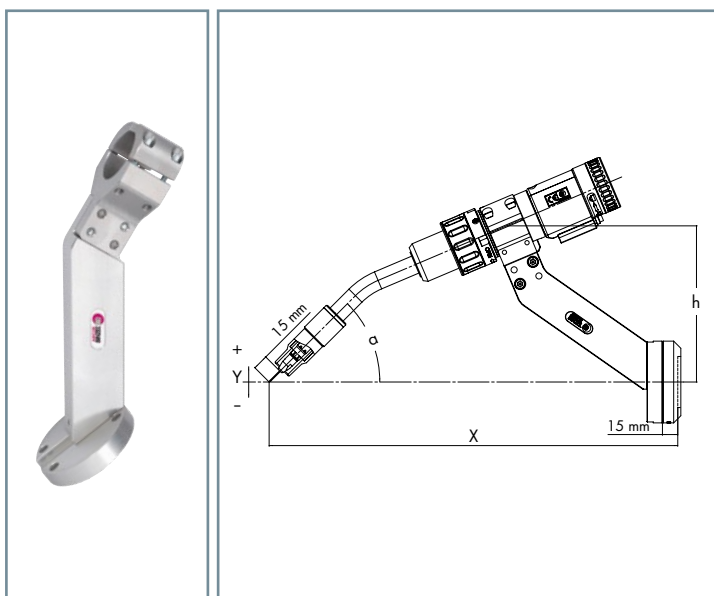
Torch type	Torch geometry	X	Y	h	$\alpha$	Part-No.
xFUME®	22°	400	0	153	45°	780.0414.1
ABIROB®	35°	400	0	125	45°	780.0420.1
W 500	45°	400	0	126	50°	780.0422.1



## RTM holder for xFUME® ABIROB® W

for robots with collision software

Torch type	Torch geometry	X	Y	h	$\alpha$	Part-No.
xFUME®	22°	400	0	153	45°	780.0449.1
ABIROB®	35°	400	0	125	45°	780.0451.1
W 500	45°	400	0	105	50°	780.0453.1



For all torch holders the top holder cpl. (780.0937.1) must be ordered separately.

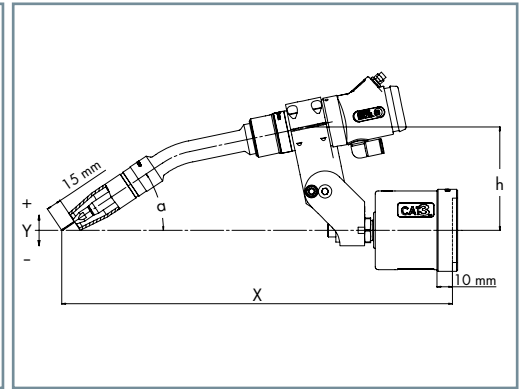


# xFUME® ABIROB® A – gas cooled Holder & TCP geometries

## Clamp holder for xFUME® ABIROB® A

in connection with CAT3 PRO cpl.

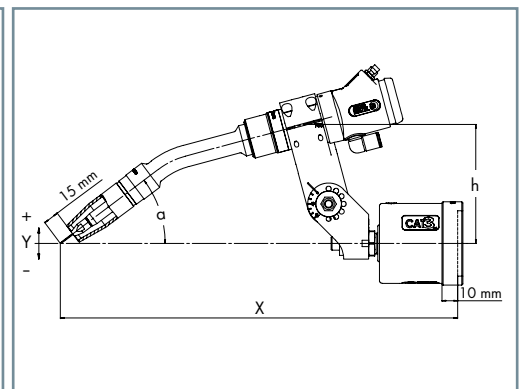
Torch type	Torch geometry	X	Y	h	$\alpha$	Part-No.
xFUME®	0°	393	0	97	21°	780.0259
ABIROB®	22°	376	0	101	34°	780.0259
A 360	35°	361	0	102	40°	780.0259
	45°	348	0	103	44°	780.0259
xFUME®	0°	393	0	97	21°	780.0259
ABIROB®	22°	376	0	101	34°	780.0259
A 500	35°	361	0	102	40°	780.0259
	45°	348	0	103	44°	780.0259



## Segment holder for xFUME® ABIROB® A<sup>1</sup>

in connection with CAT3 PRO

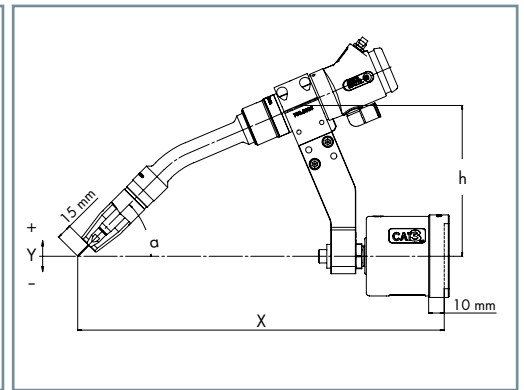
Torch type	Torch geometry	X	Y	h	$\alpha$	Part-No.
xFUME®	0°	399	46	114	15°	780.0321.1
ABIROB®	22°	377	0	114	37°	780.0321.1
A 360	35°	355	-27	114	50°	780.0321.1
	45°	332	-47	114	60°	780.0321.1
xFUME®	0°	399	46	114	15°	780.0321.1
ABIROB®	22°	377	0	114	37°	780.0321.1
A 500	35°	355	-27	114	50°	780.0321.1
	45°	332	-47	114	60°	780.0321.1



## Fixed bracket for xFUME® ABIROB® A

in connection with CAT3 PRO

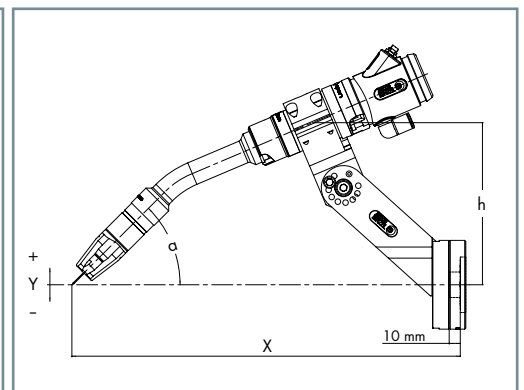
Torch type	Torch geometry	X	Y	h	$\alpha$	Part-No.
xFUME®	22°	350	0	146	45°	780.0833.1
ABIROB®	35°	350	0	123	45°	780.0835.1
A 360	45°	350	0	107	45°	780.0380.1
xFUME®	22°	350	0	146	45°	780.0833.1
ABIROB®	35°	350	0	123	45°	780.0835.1
A 500	45°	350	0	107	45°	780.0380.1



## RTM holder for xFUME® ABIROB® A<sup>2</sup>

for robots with collision software

Torch type	Torch geometry	X	Y	h	$\alpha$	Part-No.
xFUME®	0°	378	42	146	23°	780.0195
ABIROB®	22°	324	0	146	45°	780.0195
A 360	35°	324	-24	146	58°	780.0195
	45°	399	-40	146	68°	780.0195
xFUME®	0°	378	42	146	23°	780.0195
ABIROB®	22°	324	0	146	45°	780.0195
A 500	35°	324	-24	146	58°	780.0195
	45°	399	-40	146	68°	780.0195



With the xFUME® torches the standard holders can be used. Further holders are available on request.

<sup>1</sup> Holder adjustable in 15° steps.

<sup>2</sup> Holder adjustable in 7.5° steps.



# xFUME<sup>®</sup> ROBO



## **xFUME<sup>®</sup> ROBO extraction kit**

This attachment for source extraction is the ideal addition to a robotic welding cell fume extraction. It can be attached on the MIG/MAG industrial robot torch in a few simple steps and picks up welding fume directly at the point of origin.

# Robot fume extraction at the source

## xFUME® ROBO extraction kit



All documents in one place: ABIDOC

The xFUME® ROBO extraction kit is the ideal solution for welding fume extraction at the source. Combined with an ABIROB® W robot welding torch, reliable and precise fume extraction is guaranteed when the extraction kit is attached to the welding robot and connected to an extraction unit.

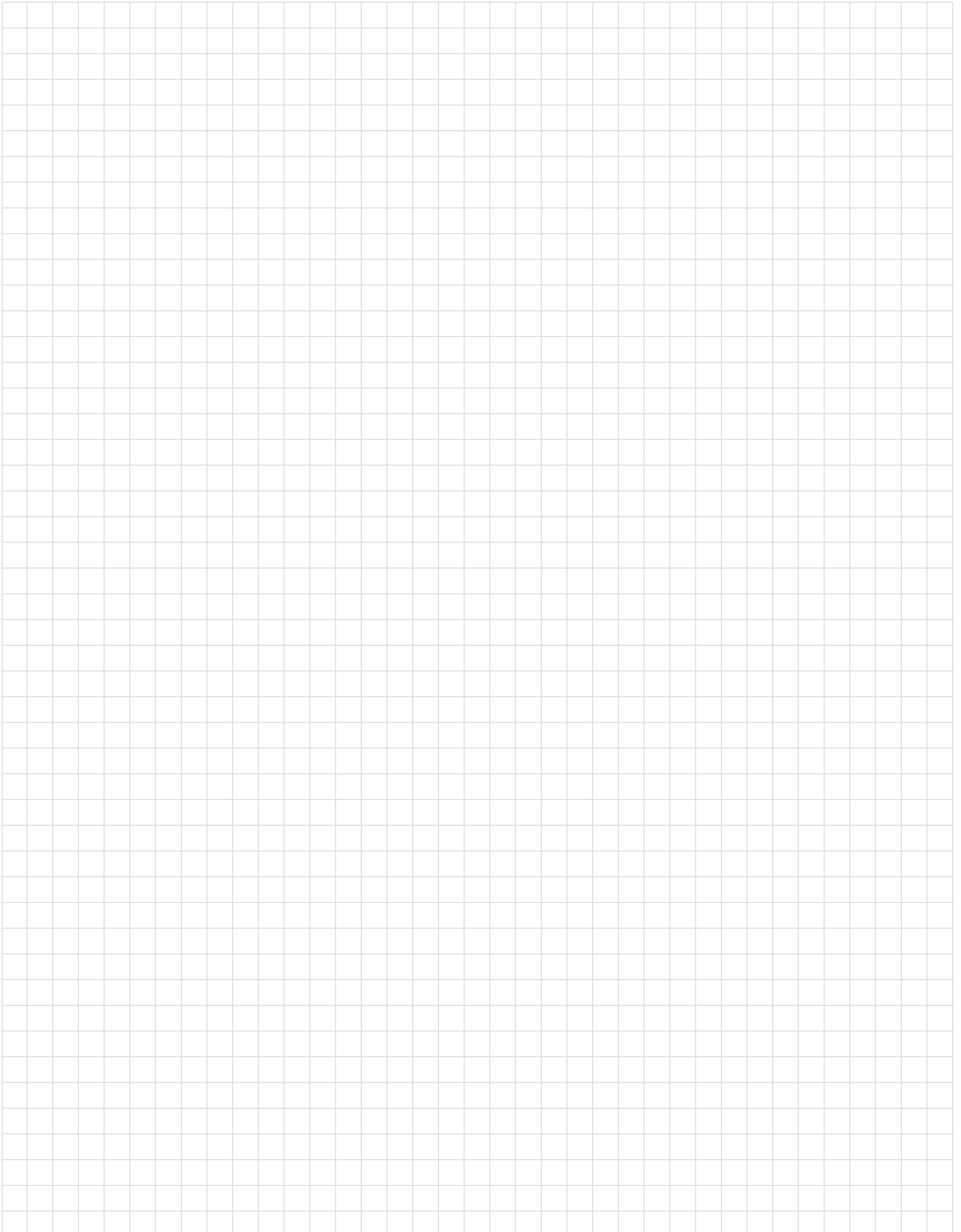
The extraction kit is separated from the cable assembly of the robot torch, which ensures that the welding fumes can flow unobstructed to the extraction unit. Already 50 mbar extraction power is sufficient to extract 95% and more welding fumes at the source without affecting the shielding gas coverage.



Type	Description	Part-No.	
		3 m	6 m
xFUME® ROBO W 500/A 500, 0-45°	Complete kit	191.0283.1	191.0284.1
xFUME® ROBO W 600, 0-45°	Complete kit	191.0285.1	191.0286.1

Type	Description	Part-No.
xFUME® ROBO W 500/A 500, 0-45°	Extraction nozzle	191.0248.1
xFUME® ROBO W 600, 0-45°	Extraction nozzle	191.0249.1

# Notes





# xFUME® fume extraction systems



## **xFUME® ADVANCED**

The mobile fume extraction system for up to two adjacent manual workplaces. Optimal for selective fume extraction according to regulations.

## **xFUME® FLEX**

Excellent for mobile use at changing manual workplaces. This mobile all-rounder can be easily connected to the power socket.



# Fume extraction system xFUME® ADVANCED / W3

## The powerful one for extraction at the source



All documents in one place: ABIDOC

With this welding fume extraction system, you are on the safe side in terms of health and safety at work. The xFUME® ADVANCED is a powerful welding fume extraction system for use with a welding fume extraction torch. The filter used efficiently and reliably captures up to 99.76% of all particles > 0.1 µm without affecting the shielding gas coverage. In combination with an xFUME® COMPACT or xFUME® PRO welding fume extraction torch, this extraction system can show off its full capabilities. If stainless steels and other alloys need to be welded, the xFUME® ADVANCED W3, together with the xFUME® TIG extraction torch, ensures the safe extraction of highly harmful fumes from chromium-nickel compounds.

Up to two extraction torches can be connected to the xFUME® ADVANCED, each can be controlled independently of the other. The high extraction

performance is guaranteed by two infinitely variable 0.8 kW motors with more than 16,000 Pa. Filter cleaning is 100% automated, which means: no downtime due to cleaning intervals.

- The filter captures up to 99.76% of all dusts > 0.1 µm
- Automatic, highly efficient filter cleaning saves time and provides safety
- Automatic start-stop feature reduces wear and keeps operating costs low
- Robust construction and highest mobility at the same time
- Slim design facilitates even hard-to-reach welding applications
- Two infinitely variable 0.8 kW motors for two welding workstations



### xFUME® ADVANCED EU version

Max. airflow:	~ 260 m <sup>3</sup> /h
Max. vacuum:	~ 16,000 Pa
Noise level:	≤ 72 dB (A)
Voltage:	115 V 50/60 Hz 230 V 50/60 Hz
Motor power:	2 x 0.8 kW
Filter efficiency:	> 99.76%

### xFUME® ADVANCED W3

Max. airflow:	~ 260 m <sup>3</sup> /h
Max. vacuum:	~ 16,000 Pa
Noise level:	≤ 72 dB (A)
Voltage:	115 V 50/60 Hz 230 V 50/60 Hz
Motor power:	2 x 0.8 kW
Filter efficiency:	> 99.76%

Type	Description	Part-No.
xFUME® ADVANCED EU version	115 V, 50/60Hz	601.0233.1
xFUME® ADVANCED EU version	230 V, 50/60Hz	601.0192.1
xFUME® ADVANCED W3	115 V, 50/60Hz	601.0139.1
xFUME® ADVANCED W3	230 V, 50/60Hz	601.0138.1



## Wear parts and accessories



Pos.	Description	Part-No.
1	Carbon brush set 115 V	601.0118.1
	Carbon brush set 230 V	601.0108.1
2	Motor 115 V	601.0110.1
	Motor 230 V	601.0109.1
3	Filter cartridge	601.0111.1
4	Extraction hose complete	601.0117.1
5	Connection sleeve	601.0116.1
6	Current clamp cpl. 1.5 m	601.0041.1
	Current clamp cpl. 5 m	601.0277.1
7	Flexible funnel nozzle, magnetic with base	601.0016.1
8	Y-adaptor	601.0235.1
not. fig.	Star knob screw set	601.0115.1
not. fig.	Fuse holder	601.0150.1
not. fig.	Hour meter	601.0151.1
not. fig.	Potentiometer with knob 115 V	601.0152.1
	Potentiometer with knob 230 V	601.0153.1
not. fig.	Socket 4-pole	601.0154.1
not. fig.	Differential pressure switch	601.0157.1
not. fig.	Cover	601.0114.1
not. fig.	Service LED	890.0731.1
not. fig.	Power LED	890.0730.1
not. fig.	On/off switch	601.0148.1
not. fig.	Auto/manual switch	601.0149.1
not. fig.	Acoustic signal transmitter*	601.0279.1
not. fig.	Dust collection bag*	601.0021.10

\*for W3 version only

# Fume extraction system xFUME® FLEX

## The all-rounder talent in welding fume extraction



All documents in one place: ABIDOC

This flexible, mobile and versatile extraction unit provides efficient welding fume extraction at a manual welding workstation with a standard torch. Simply place the extraction hood with the flexible extraction arm above the welding process and the xFUME® FLEX captures the fumes. The extraction hood function absorbs any kind of harmful particles from the ambient air, including micro-particles from grinding and cutting work. The xFUME® FLEX extraction system is ideally suited for entry-level welding fume extraction, as the already existing welding torches can be used.

A powerful LED work light is also part of the standard equipment, as is the easily replaceable filter with an impressive filter surface of 36 m<sup>2</sup>. This is up to three times larger than the filter surfaces of standard extraction systems on the market. Thus, the filter has a service life that is up to three times longer, which has a very positive effect on operating costs. If the extraction funnel of the xFUME® FLEX is positioned correctly, it absorbs up to 90% of the welding fumes.

- Ideally suited for entry-level extraction technology
- 3 times longer filter performance than standard extraction systems available on the market
- Extraction arm in 2, 3 or 4 m length facilitates precise positioning of the extraction hood
- Optimum illumination of the workpiece by LED working light
- Mobile design for easy transport between welding workplaces
- Easy connection to 230 or 115 volt power socket



### xFUME® FLEX

Max. airflow:	~ 1,200 m <sup>3</sup> /h
Connections:	Extraction arm
Connection diameter:	-
Max. vacuum:	-
Noise level:	≤ 72 dB (A)
Voltage:	115 V 50/60 Hz 230 V 50/60 Hz
Motor power:	1.1 kW
Filter efficiency:	≥ 99.95%

Type	Description	Extraction arm length	Part-No.
xFUME® FLEX	115 V, 50 Hz	Extraction arm L= 2 m	601.0090.1
xFUME® FLEX	115 V, 50 Hz	Extraction arm L= 3 m	601.0091.1
xFUME® FLEX	115 V, 50 Hz	Extraction arm L= 4 m	601.0092.1
xFUME® FLEX	115 V, 60 Hz	Extraction arm L= 2 m	601.0093.1
xFUME® FLEX	115 V, 60 Hz	Extraction arm L= 3 m	601.0094.1
xFUME® FLEX	115 V, 60 Hz	Extraction arm L= 4 m	601.0095.1
xFUME® FLEX	230 V 50 Hz	Extraction arm L= 2 m	601.0096.1
xFUME® FLEX	230 V 50 Hz	Extraction arm L= 3 m	601.0097.1
xFUME® FLEX	230 V 50 Hz	Extraction arm L= 4 m	601.0098.1

## Wear parts and accessories



Pos.	Description	Part-No.
1	Extraction hood with LED / grid	601.0168.1
2	Extraction arm 2 m, without hood	601.0165.1
	Extraction arm 3 m, without hood	601.0166.1
	Extraction arm 4 m, without hood	601.0167.1
3	Filter cassette	601.0112.1
not fig.	Extraction hose 2 m, with 2 x rubber	601.0170.1
	Extraction hose 3 m, with 2 x rubber	601.0171.1
	Extraction hose 4 m, with 2 x rubber	601.0172.1
not fig.	Pre-filter fleece	601.0119.10
not fig.	Metal pre-filter	601.0142.1
not fig.	Switch LED	601.0160.1
not fig.	Illuminant LED	601.0161.1
not fig.	Protective grid	601.0162.1



## Our product range

### MANUAL

- MIG/MAG welding torches
- TIG welding torches
- Plasma cutting torches
- Plasma welding torches

### EXTRACTION TECHNOLOGY

- Fume extraction systems
- Fume extraction torches
- Fume extraction & power source combination system

### ROBOTIC SYSTEMS

- Robot torches MIG/TIG/Plasma
- Robot switch-off protections
- Torch cleaning stations
- Wire cutting devices
- Robot power source
- System solutions for cobots
- Pipe welding robot
- Wire feeder systems
- Seam tracking sensors
- Gas management systems

### LASER SYSTEMS

- Remote laser scanner
- Tactile laser optics
- Wire feeder systems
- Process monitoring tools
- Weld seam inspection

### ORBITAL WELDING

- Orbital welding systems
- Positioning bands
- Coated contact tips

### HARD AUTOMATION

- Welding tractors
- Welding tractor & power source combination system
- MIG/MAG automatic torches
- Plasma automatic welding and cutting torches

### WELDING ACCESSORIES

- Wear parts MIG/TIG/Plasma
- Intermediate cable
- Sockets and plugs
- Electrode holders
- Gouging torches
- Gouging electrodes
- Utilities and tools
- Cooling units
- Wire feeding units
- Equipment for weld seam treatment
- Anti-spatter agents, sprays and pastes



Alexander Binzel Schweisstechnik GmbH & Co. KG  
Kiesacker · 35418 Buseck · GERMANY  
T +49 64 08 / 59-0  
F +49 64 08 / 59-191  
info@binzel-abicor.com

[www.binzel-abicor.com](http://www.binzel-abicor.com)